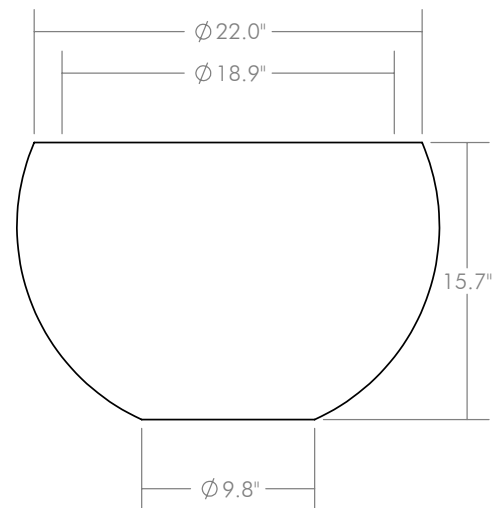


TOP VIEW



FRONT VIEW

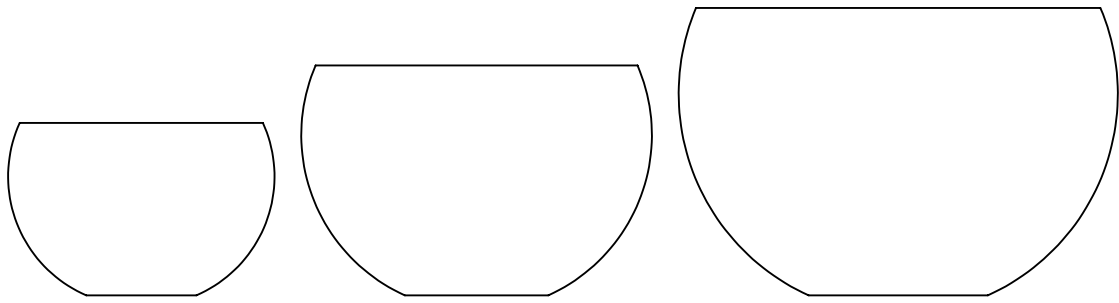
PRODUCT DIMENSIONS

Exterior			Base		Interior		Rim	
L	W	H	L	W	L	W	Width	Depth
61cm	61cm	40cm	25cm	25cm	48cm	48cm	4cm	4cm
24"	24"	15.7"	9.8"	9.8"	18.9"	18.9"	1.6"	1.6"

CRATERA 1970

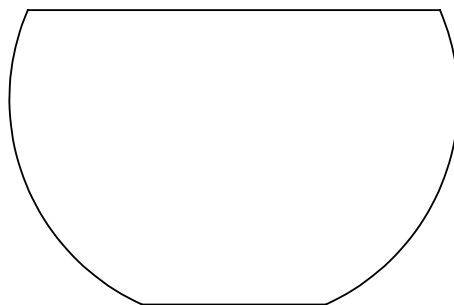
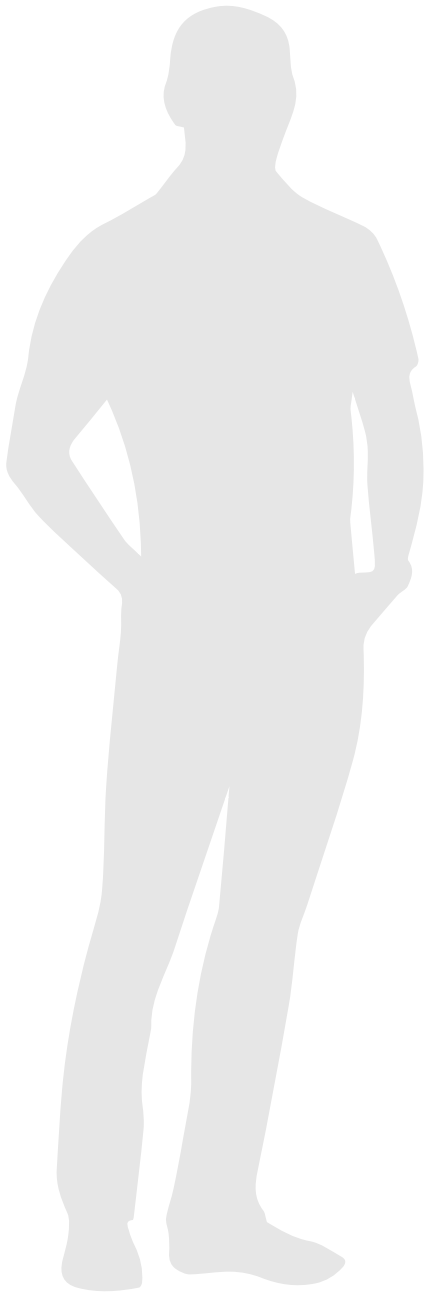
Model No.	1970.061	A4
-----------	----------	----

SIZE REFERENCE



NOTES

Please visit www.TauManufacturing.com for warranty information and care & maintenance tips.



40cm
15.7"

SCALE 1:10

LIVE BEAUTIFUL