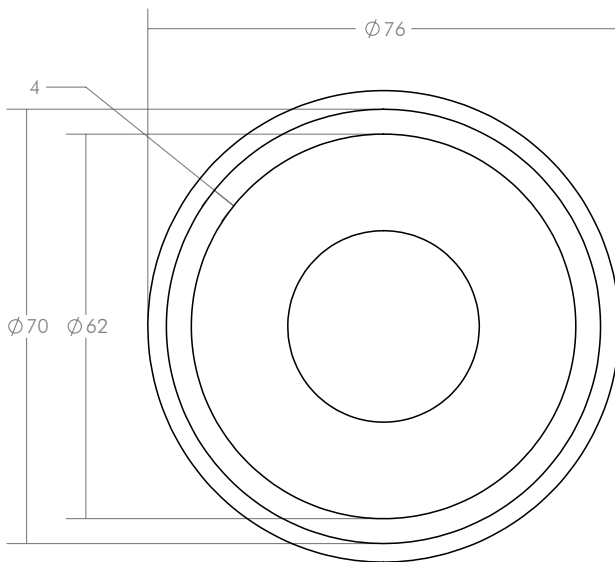
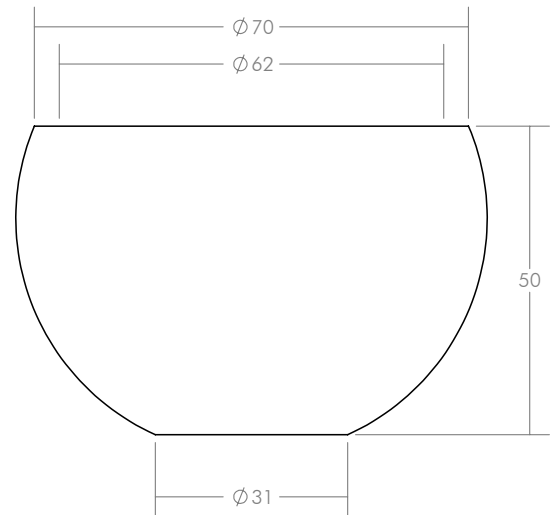


# PRODUCT SPECIFICATIONS



TOP VIEW



FRONT VIEW

## PRODUCT DIMENSIONS

Exterior			Base		Interior		Rim	
L	W	H	L	W	L	W	Width	Depth
76cm	76cm	50cm	31cm	31cm	62cm	62cm	4cm	4cm
29.9"	29.9"	19.7"	12.2"	12.2"	24.4"	24.4"	1.6"	1.6"

## CRATERA 1970

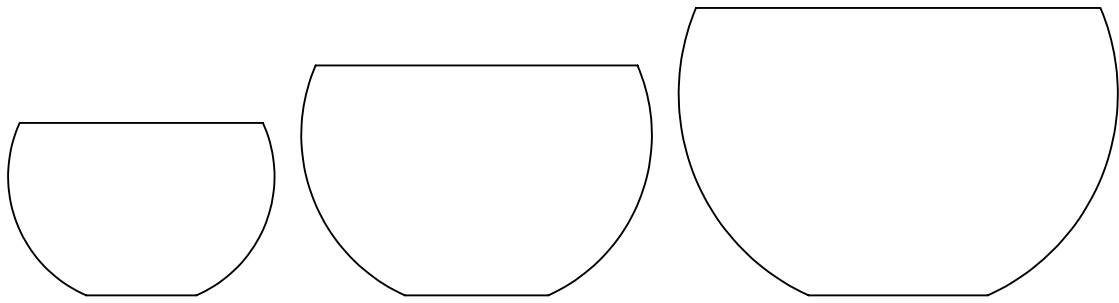
Model No.

1970.076

A4

SHEET 1 OF 2

# SIZE REFERENCE

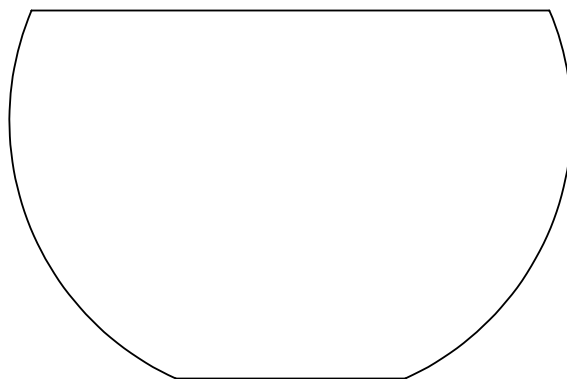


---

## NOTES

---

Please visit [www.TauManufacturing.com](http://www.TauManufacturing.com) for warranty information and care & maintenance tips.



50cm  
19.7"

SCALE 1:10

LIVE BEAUTIFUL