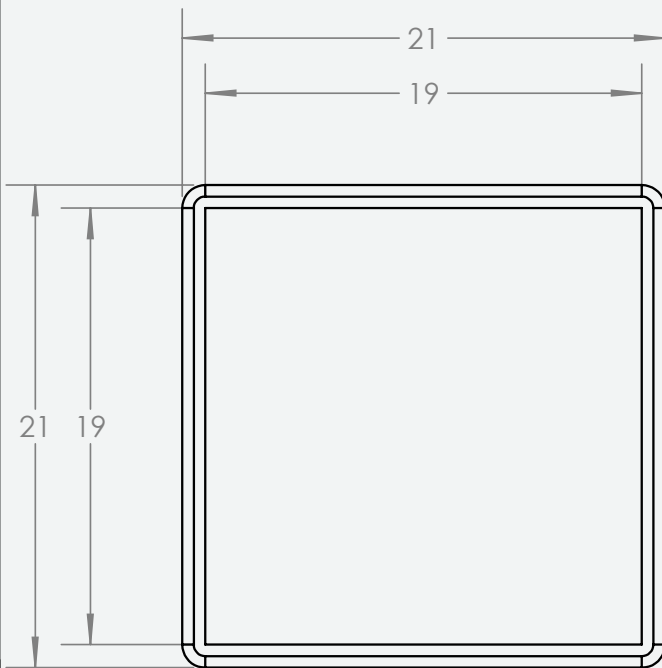
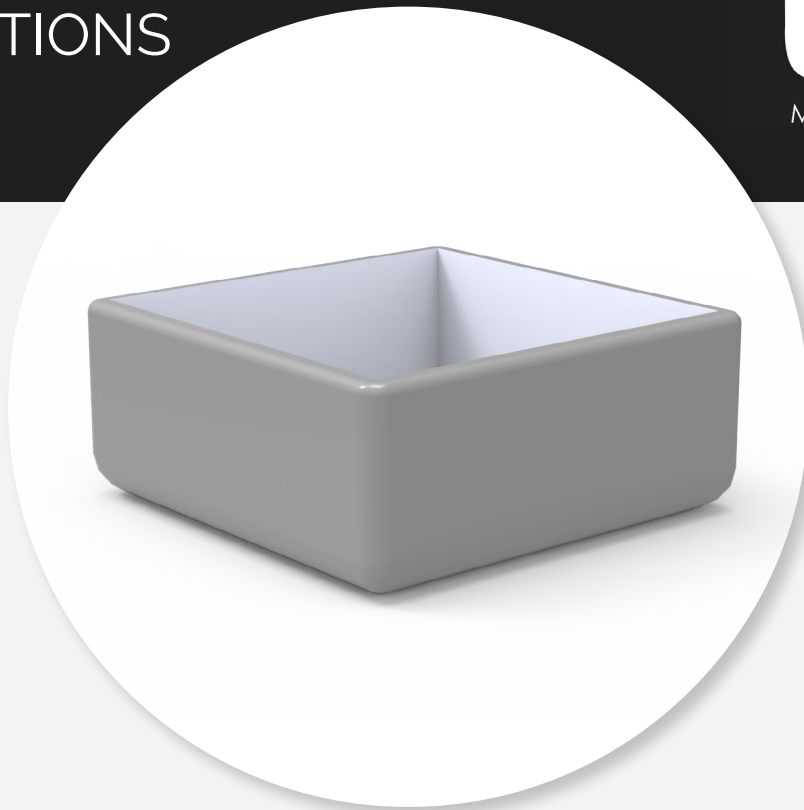
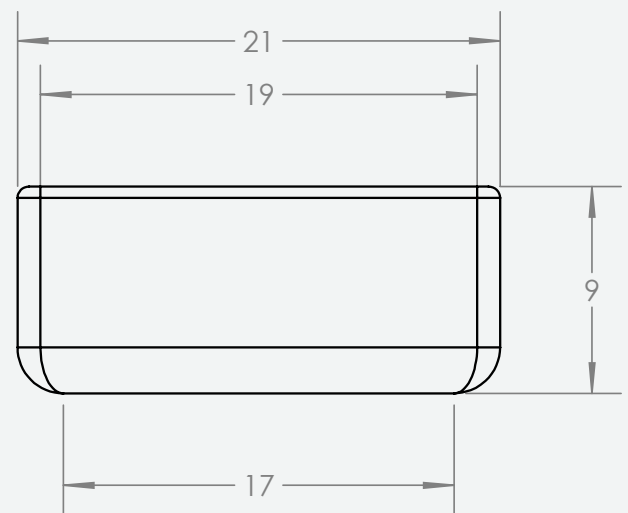


# PRODUCT SPECIFICATIONS



top view



detailed view

## Product Specifications

Outside Dimensions (cm)			Inside Dimensions (cm)	Weight (kg)
L x W	H	Base	L x W	Net
21/21	9	17/17	19/19	0.53

## MESA

Model. NO.

**2260.021**

**A4**

SHEET 1 OF 1