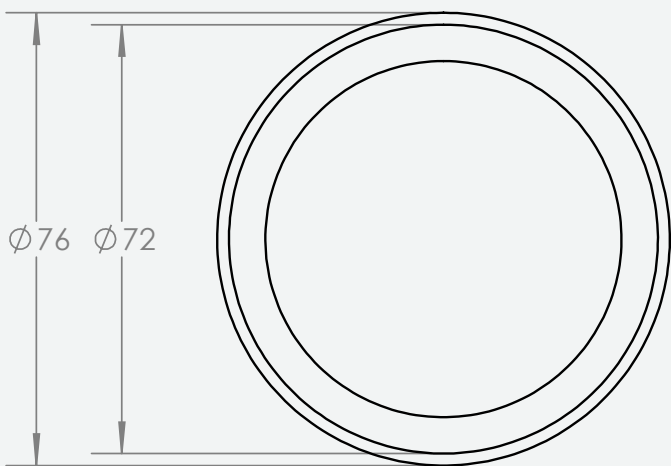
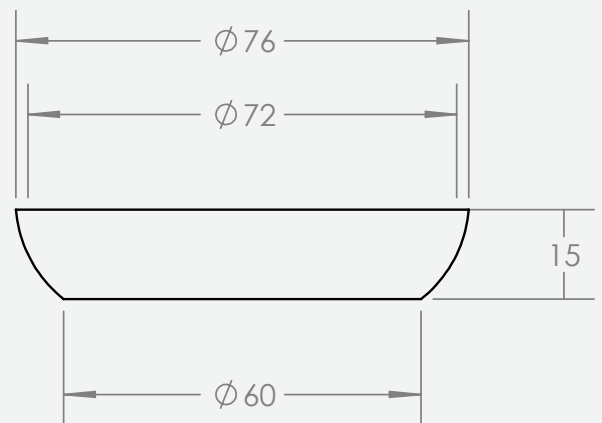


# PRODUCT SPECIFICATIONS



top view



detailed view

## Product Specifications

Outside Dimensions (cm)			Inside Dimensions (cm)	Weight (kg)
$\phi$	H	Base $\phi$	$\phi$	Net
76	15	60	72	3.74

## CRATERA

Model. NO.

**2720.076S**

**A4**

SHEET 1 OF 1