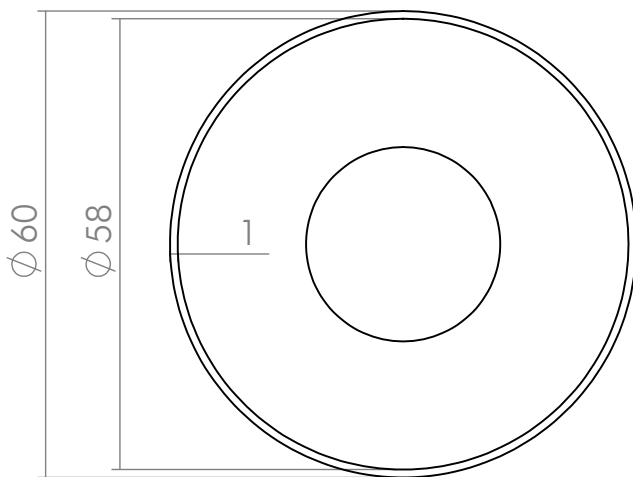
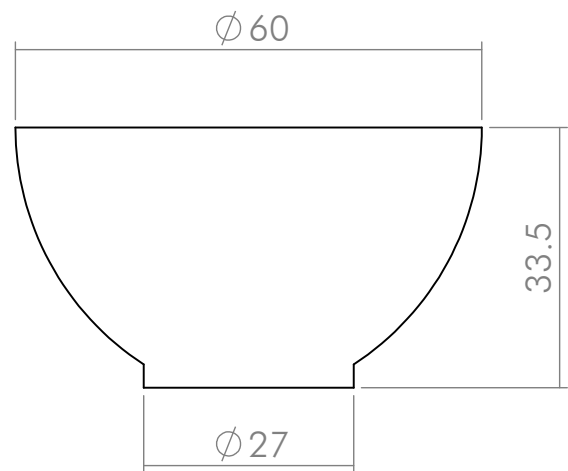


PRODUCT SPECIFICATIONS



TOP VIEW



FRONT VIEW

PRODUCT DIMENSIONS

Exterior			Base		Interior		Rim	
L	W	H	L	W	L	W	Width	Depth
60cm	60cm	33.5cm	27cm	27cm	58cm	58cm	1cm	0cm
23.6"	23.6"	13.2"	10.6"	10.6"	22.8"	22.8"	0.4"	0"

CRATERA 4535

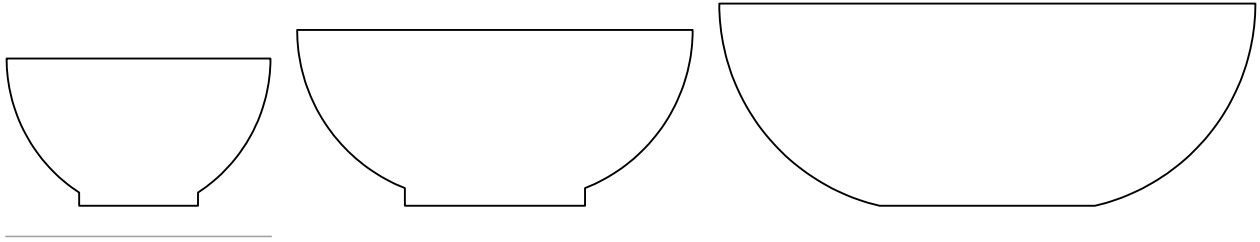
Model No.

4535.060

A4

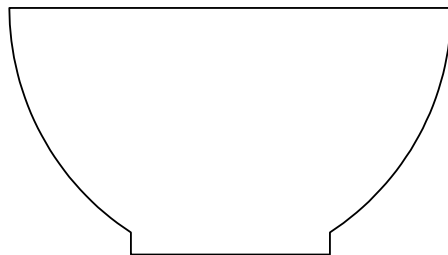
SHEET 1 OF 2

SIZE REFERENCE



NOTES

Please visit www.TauManufacturing.com for warranty information and care & maintenance tips.



33.5cm
13.2"

SCALE 1:10

LIVE BEAUTIFUL