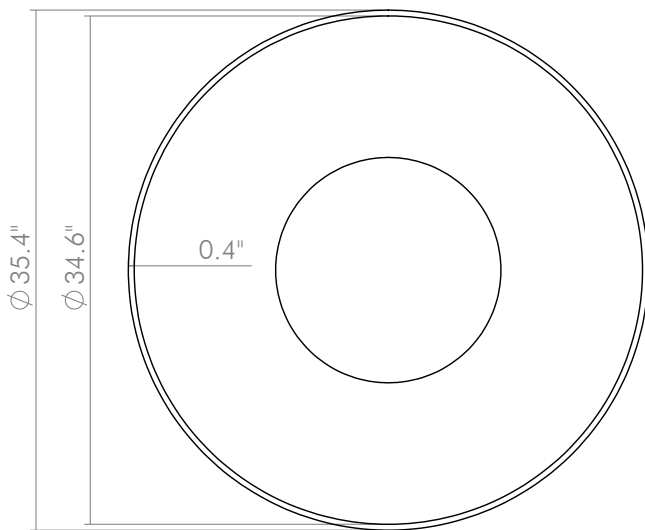
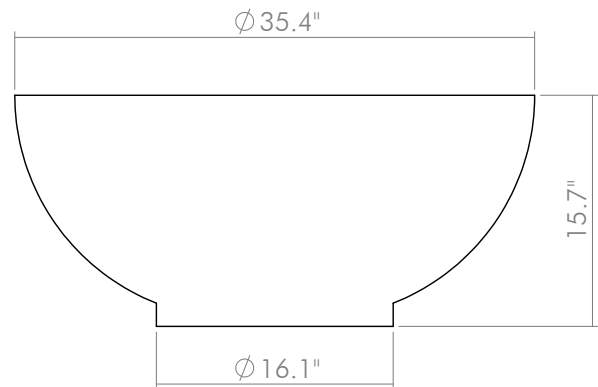


PRODUCT SPECIFICATIONS



TOP VIEW



FRONT VIEW

PRODUCT DIMENSIONS

Exterior			Base		Interior		Rim	
L	W	H	L	W	L	W	Width	Depth
90cm	90cm	40cm	41cm	41cm	88cm	88cm	1cm	0cm
35.4"	35.4"	15.7"	16.1"	16.1"	34.6"	34.6"	0.4"	0"

CRATERA 4535

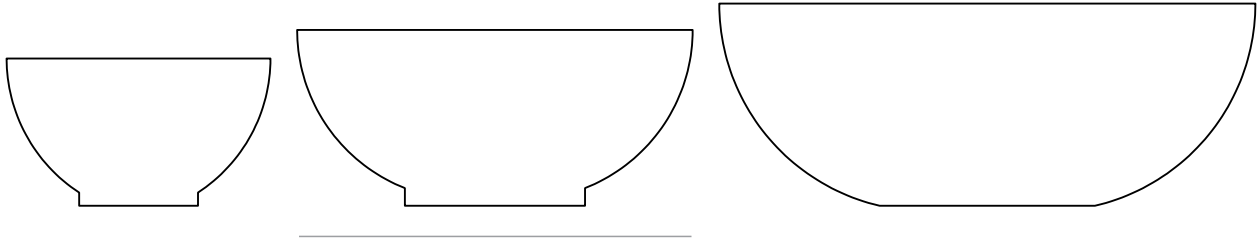
Model No.

4535.090

A4

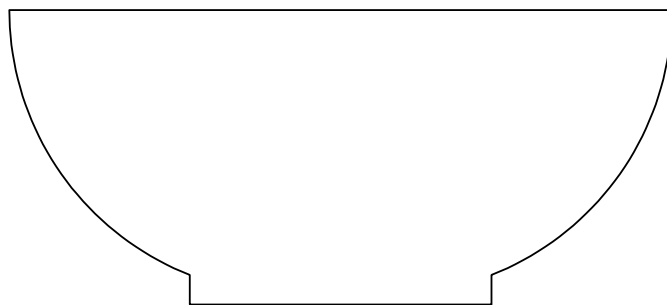
SHEET 1 OF 2

SIZE REFERENCE



NOTES

Please visit www.TauManufacturing.com for warranty information and care & maintenance tips.



40cm
15.7"

SCALE 1:10

LIVE BEAUTIFUL